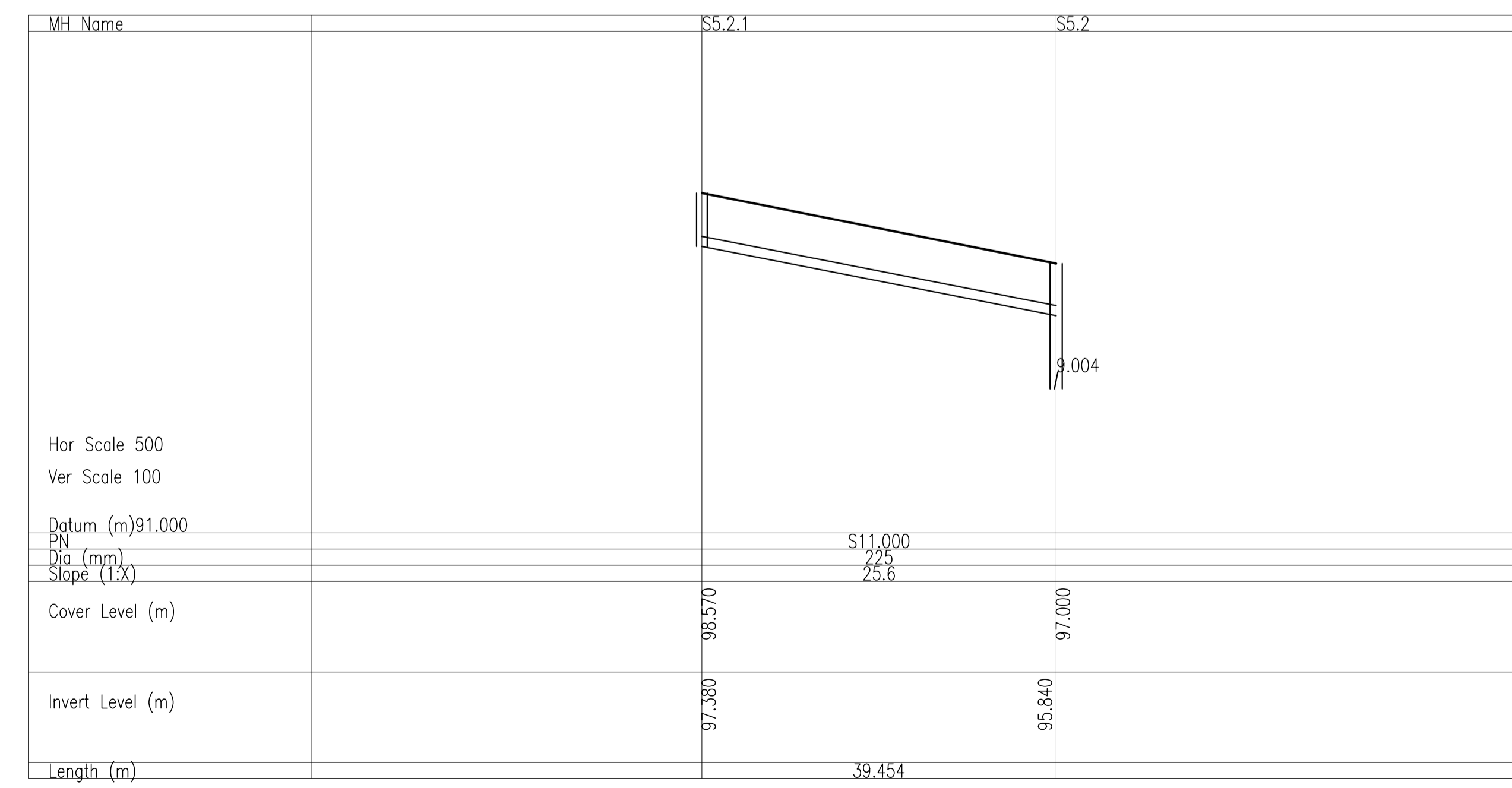
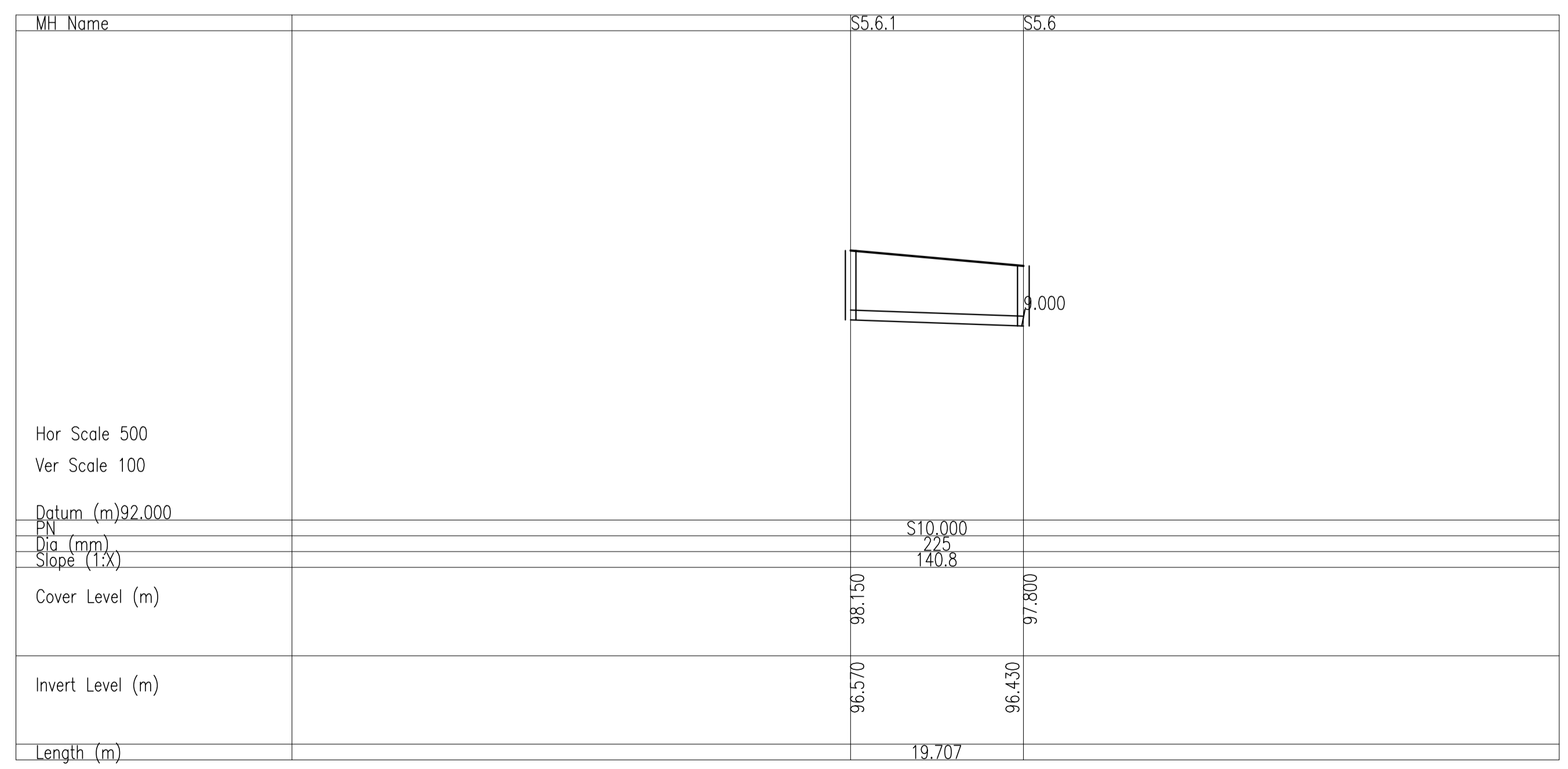
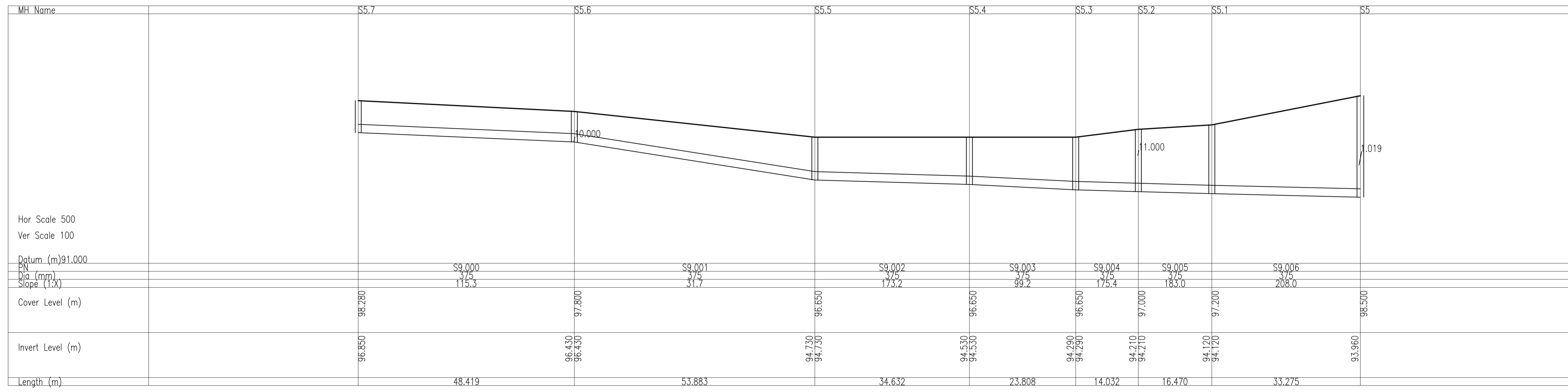
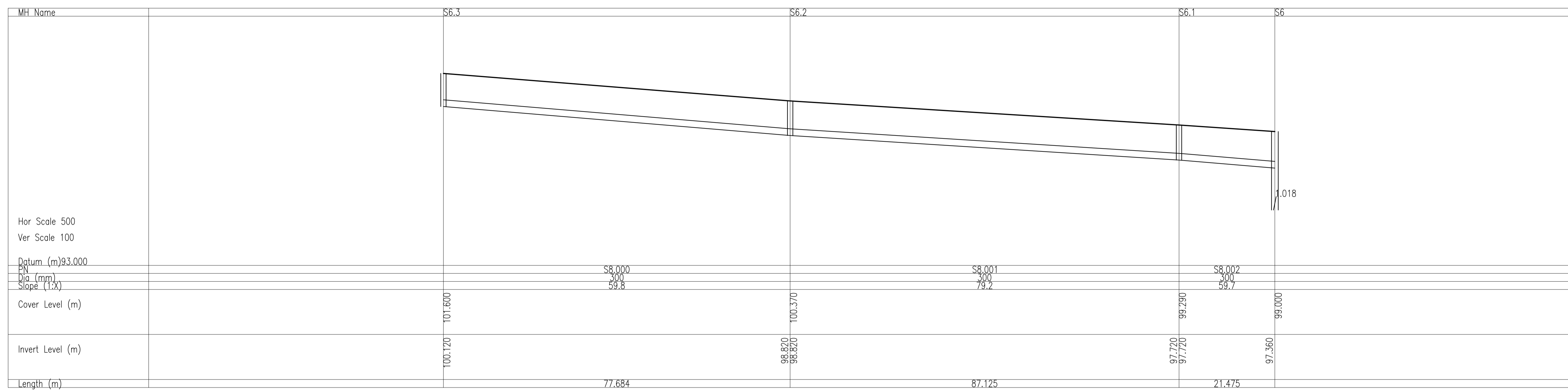


- NOTES:
1. ALL DRAWINGS TO BE CHECKED BY CONTRACTOR ON SITE AND ENGINEER INFORMED OF DISCREPANCIES BEFORE WORK COMMENCES
  2. ALL LEVELS ARE IN METRES AND ARE RELATED TO ORDNANCE DATUM
  3. CONTRACTOR SHALL SATISFY HIMSELF AS TO THE ACCURACY OF PAVEMENT LEVELS ON SITE PRIOR TO COMMENCEMENT OF WORKS ON SITE
  4. ALL WORKS TO BE CONSTRUCTED IN ACCORDANCE WITH THE NRA SPECIFICATION FOR ROAD WORKS UNLESS NOTED OTHERWISE
  5. THIS DRAWING IS FOR PLANNING PURPOSES ONLY
  6. MANHOLE COVER LEVELS ARE TO CONFORM WITH FINISHED ROAD AND PATH LEVELS
  7. WHERE COVER TO PIPE IS LESS THAN 1200mm (ROAD/PATH/VERGE) OR 800mm (OPEN SPACE) SURROUND PIPE IN MINIMUM 150mm CONCRETE

KEY  
 PROPOSED GROUND PROFILE



REV.	DATE	DESCRIPTION	BY	CHKD.
A	15/06/18	REVISED FOR PLANNING SUBMISSION	DAS	RTM

DESIGNED	JBK	PREPARED	APW
DATE	NOV 2017	CHECKED	JBK

DBFL Consulting Engineers    EMAIL: info@dbfl.ie    SITE: www.dbfl.ie

PROJECT  
**PROPOSED RESIDENTIAL DEVELOPMENT AT GLENCAIRN, MURPHYSTOWN WAY, DUBLIN 18**

DRG. TITLE  
**LONGITUDINAL SECTIONS THROUGH SURFACE WATER SEWERS SHEET 3 OF 3**

ARCHITECT  
**O'MAHONY PIKE ARCHITECTS**

SCALE	1:500 @A1	FILE REF.	170074-3032
DRG. NO.	170074-3034		A