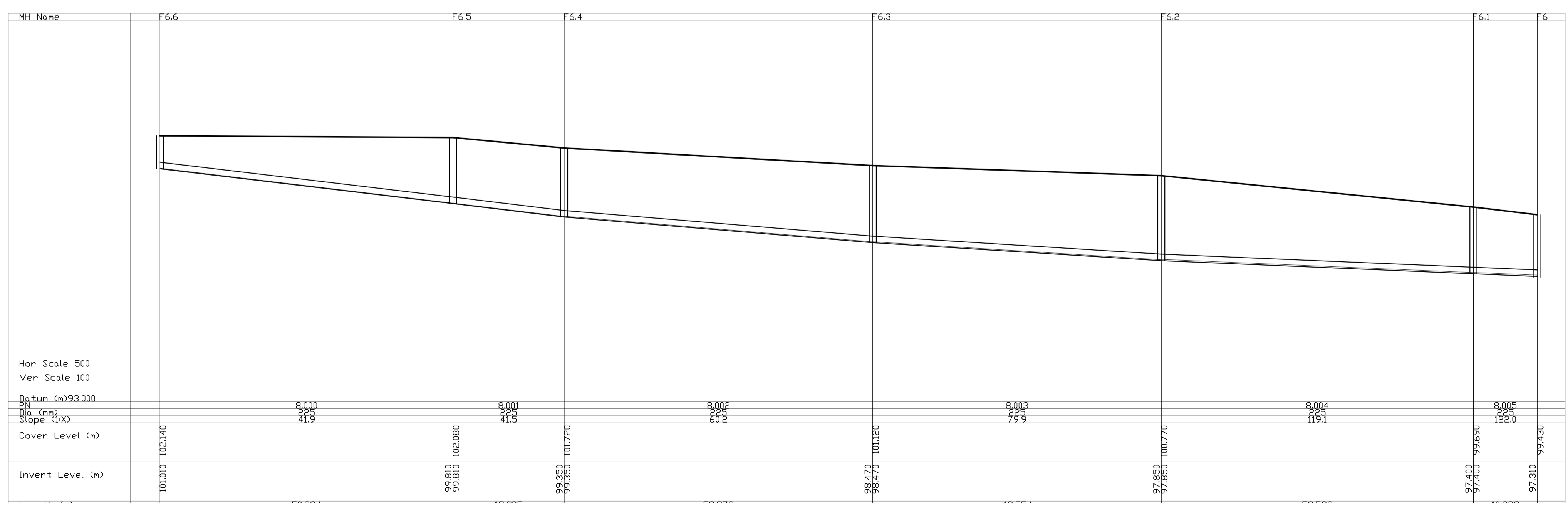
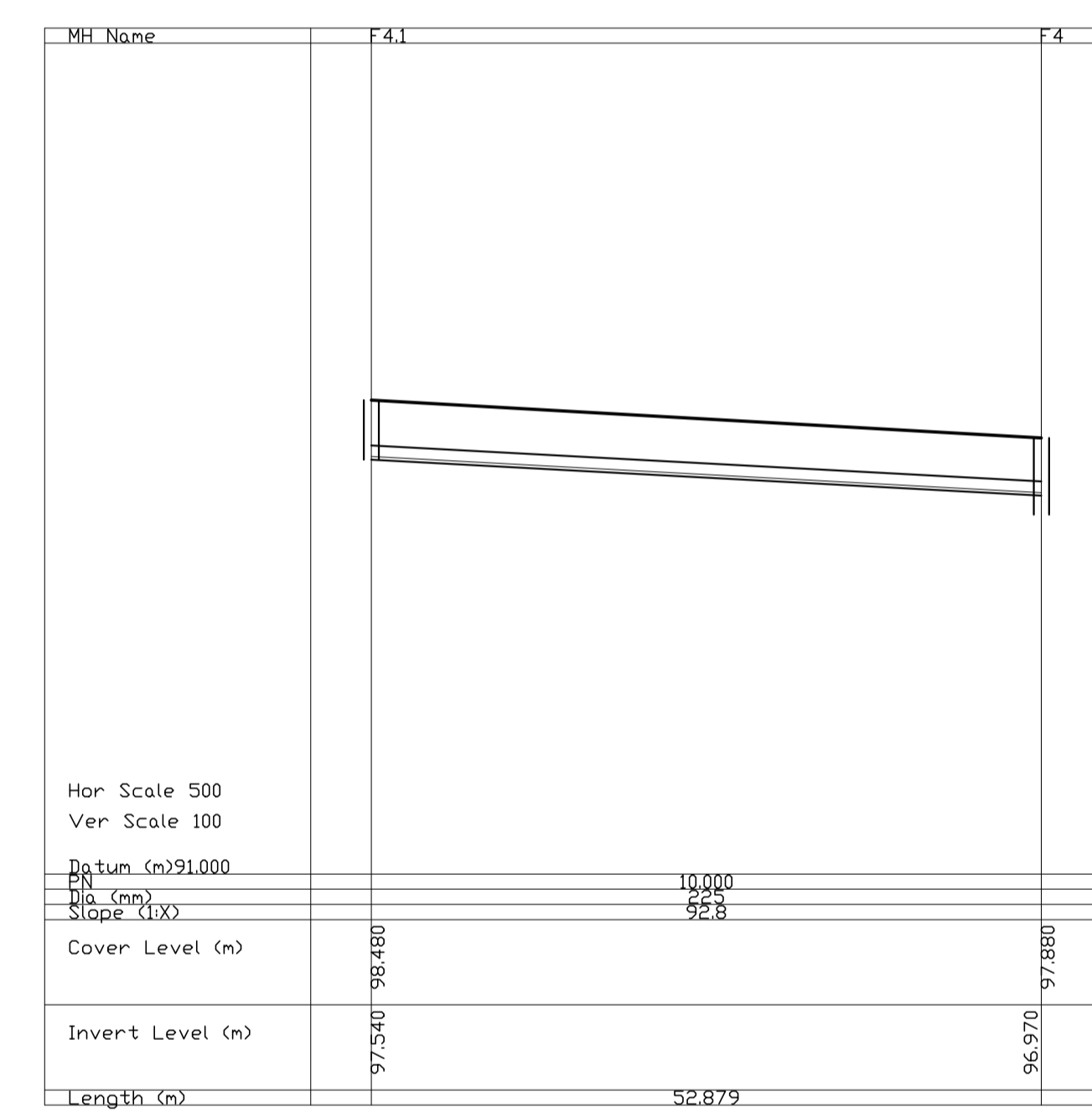
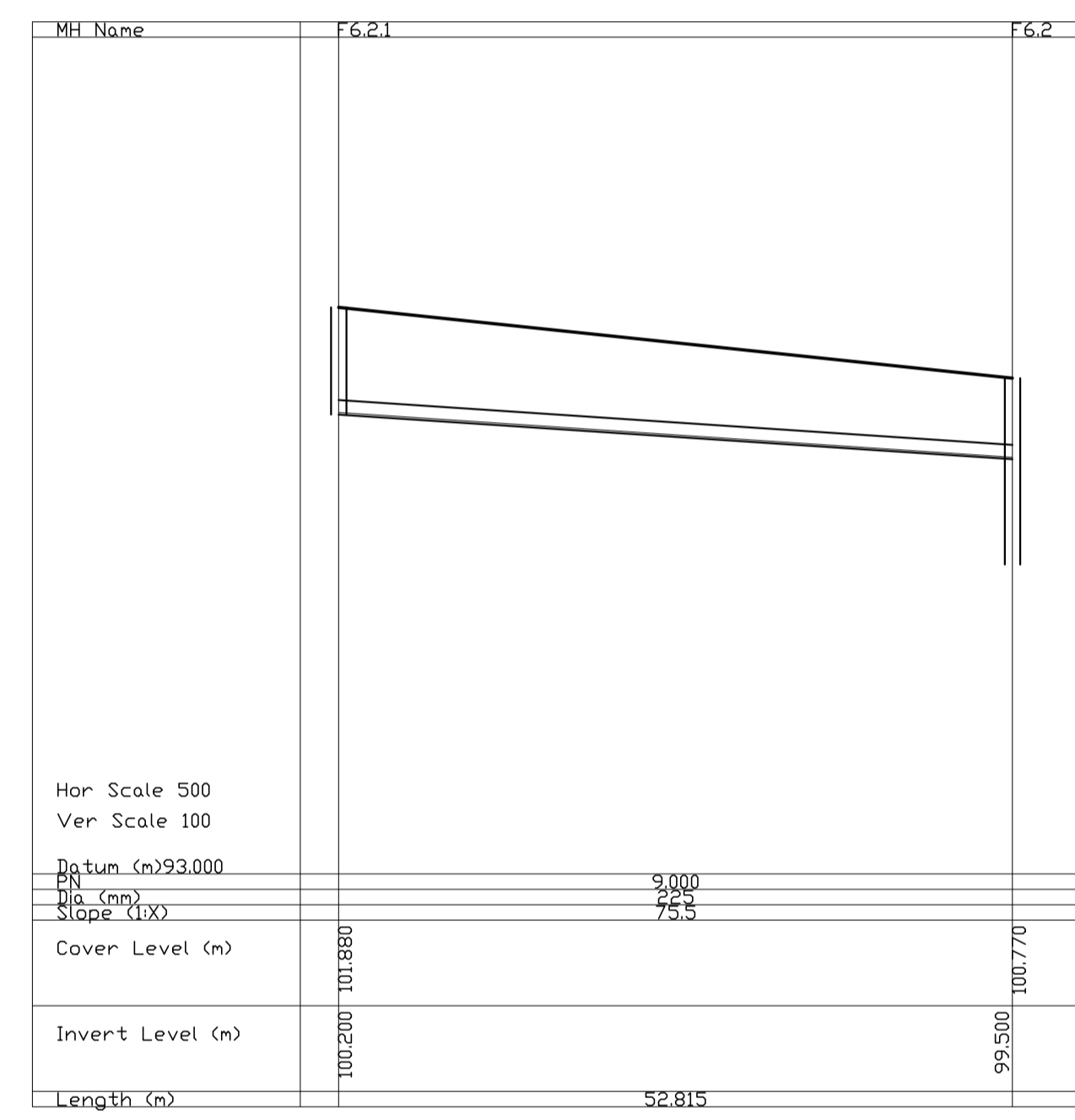
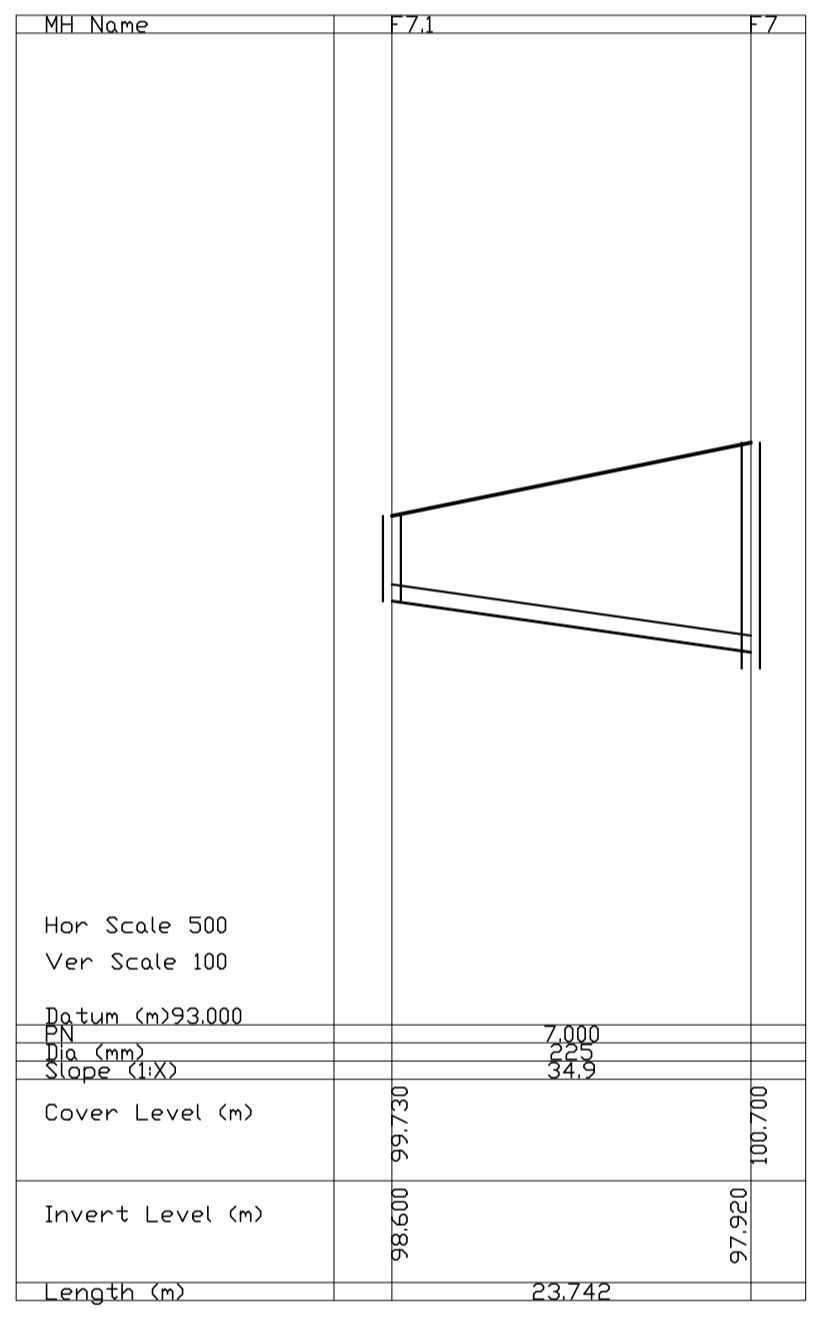
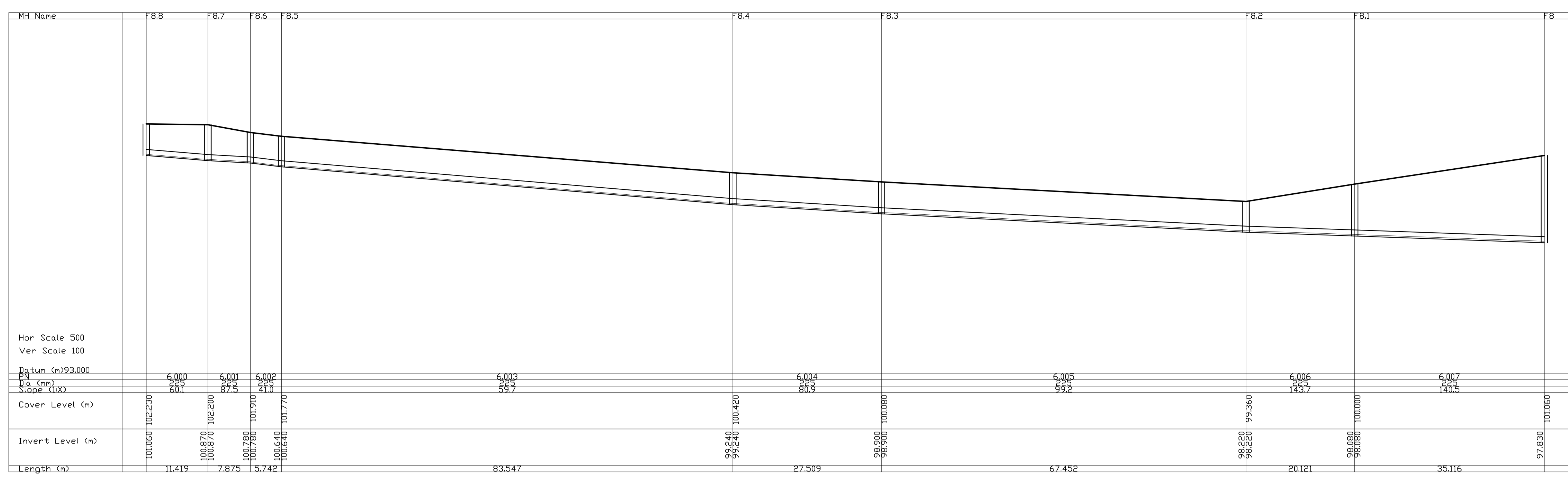


- NOTES:
1. ALL DRAWINGS TO BE CHECKED BY CONTRACTOR ON SITE AND ENGINEER INFORMED OF DISCREPANCIES BEFORE WORK COMMENCES
 2. ALL LEVELS ARE IN METRES AND ARE RELATED TO ORDNANCE DATUM
 3. CONTRACTOR SHALL SATISFY HIMSELF AS TO THE ACCURACY OF PAVEMENT LEVELS ON SITE PRIOR TO COMMENCEMENT OF WORKS ON SITE
 4. ALL WORKS TO BE CONSTRUCTED IN ACCORDANCE WITH THE NRA SPECIFICATION FOR ROAD WORKS UNLESS NOTED OTHERWISE
 5. THIS DRAWING IS FOR PLANNING PURPOSES ONLY
 6. MANHOLE COVER LEVELS ARE TO CONFORM WITH FINISHED ROAD AND PATH LEVELS
 7. WHERE COVER TO PIPE IS LESS THAN 1200mm (ROAD/PATH/VERGE) OR 800mm (OPEN SPACE) SURROUND PIPE IN MINIMUM 150mm CONCRETE



KEY

 PROPOSED GROUND PROFILE

B	15/08/18	REVISED FOR PLANNING SUBMISSION	DAS	JBK
A	19/07/18	FOR RISH WATER SUBMISSION	KJD	JBK
REV.	DATE	DESCRIPTION	BY	CHKD.

PLANNING			
DESIGNED	JBK	PREPARED	APW
DATE	NOV 2017	CHECKED	JBK

Dublin Office: Ormond House, Upper Ormond Quay, Dublin 7, Ireland. Phone: +353 1 400 4000 Fax: +353 1 400 4050
 Waterford Office: Unit 2, The Chandlery, 1-2 O'Connell Street, Waterford, Ireland. Phone: +353 51 300 500 Fax: +353 51 844 813
 DBFL Consulting Engineers email: info@dbfl.ie site: www.dbfl.ie

PROJECT
PROPOSED RESIDENTIAL DEVELOPMENT AT GLENCAIRN, MURPHYSTOWN WAY, DUBLIN 18

DRG. TITLE
LONGITUDINAL SECTIONS THROUGH FOUL SEWERS SHEET 2 OF 2

ARCHITECT
O'MAHONY PIKE ARCHITECTS

SCALE	1:500 @A1	FILE REF.	170074-3030
DRG. NO.	170074-3031		B