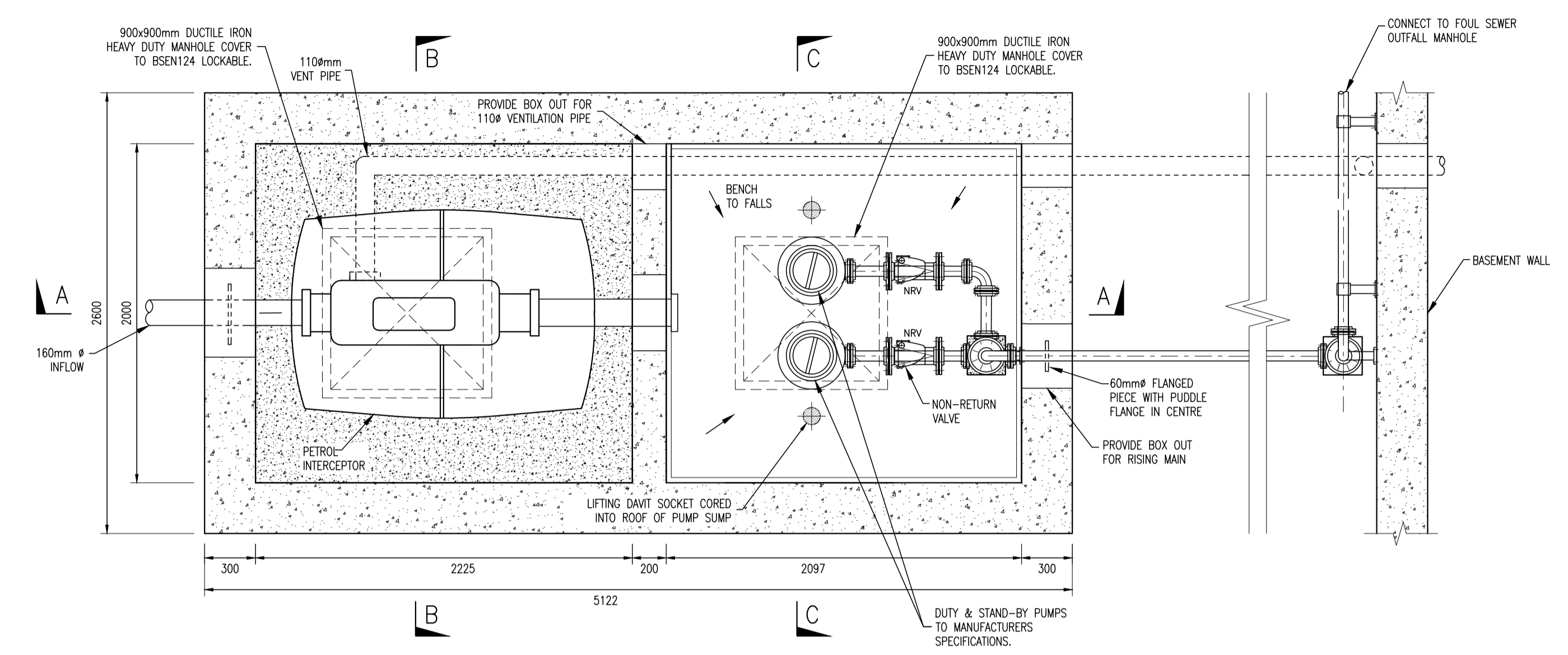
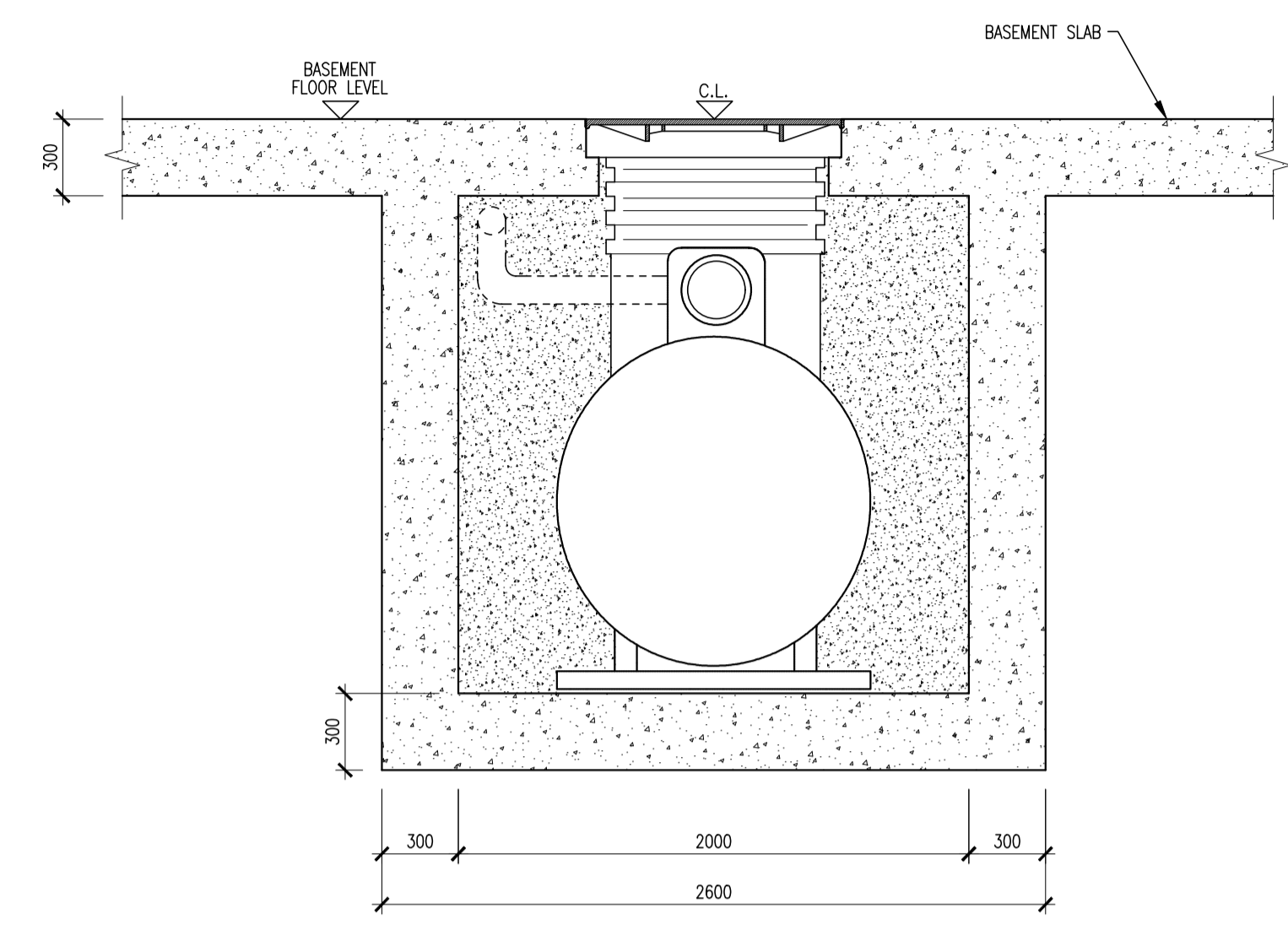


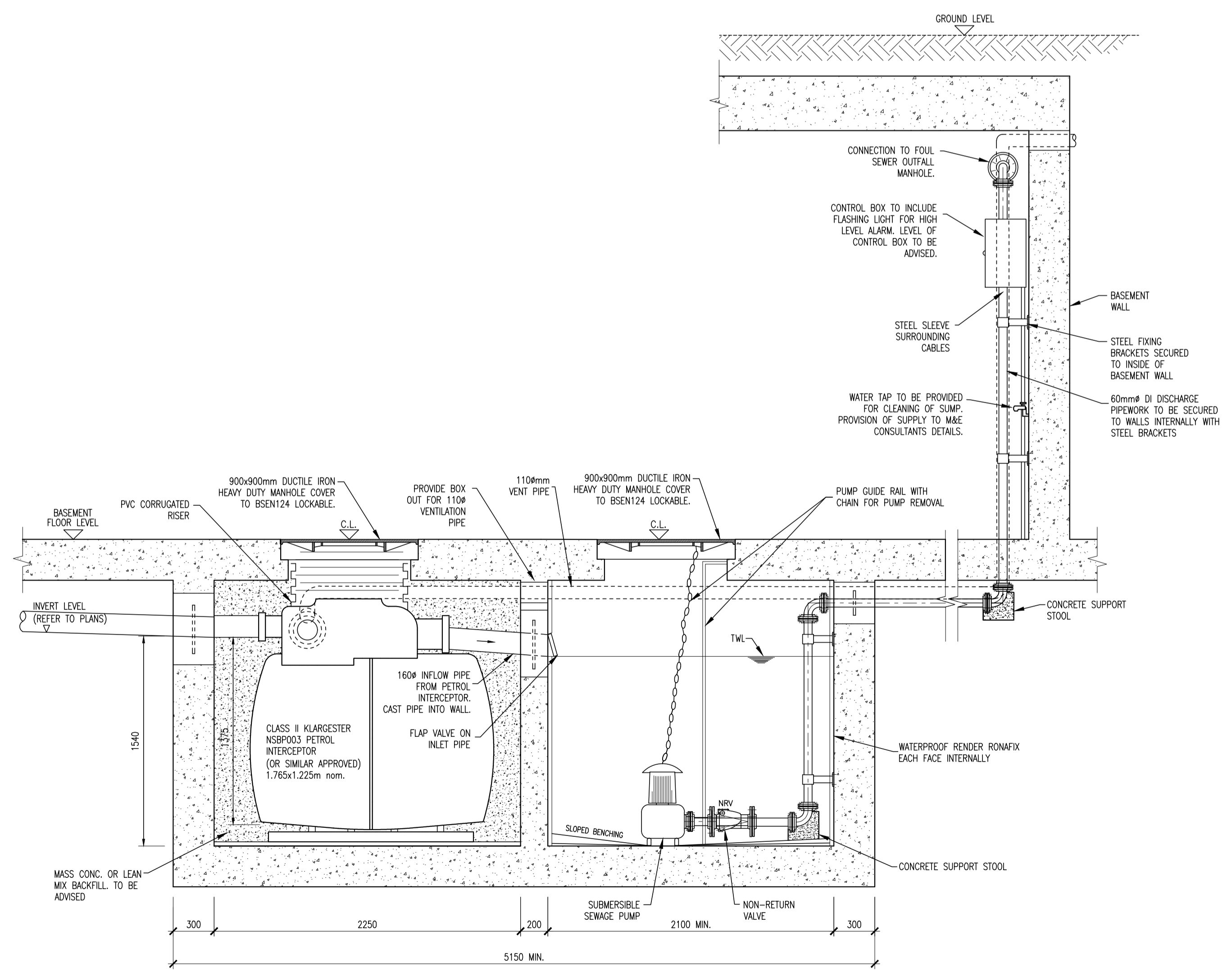
NOTES:



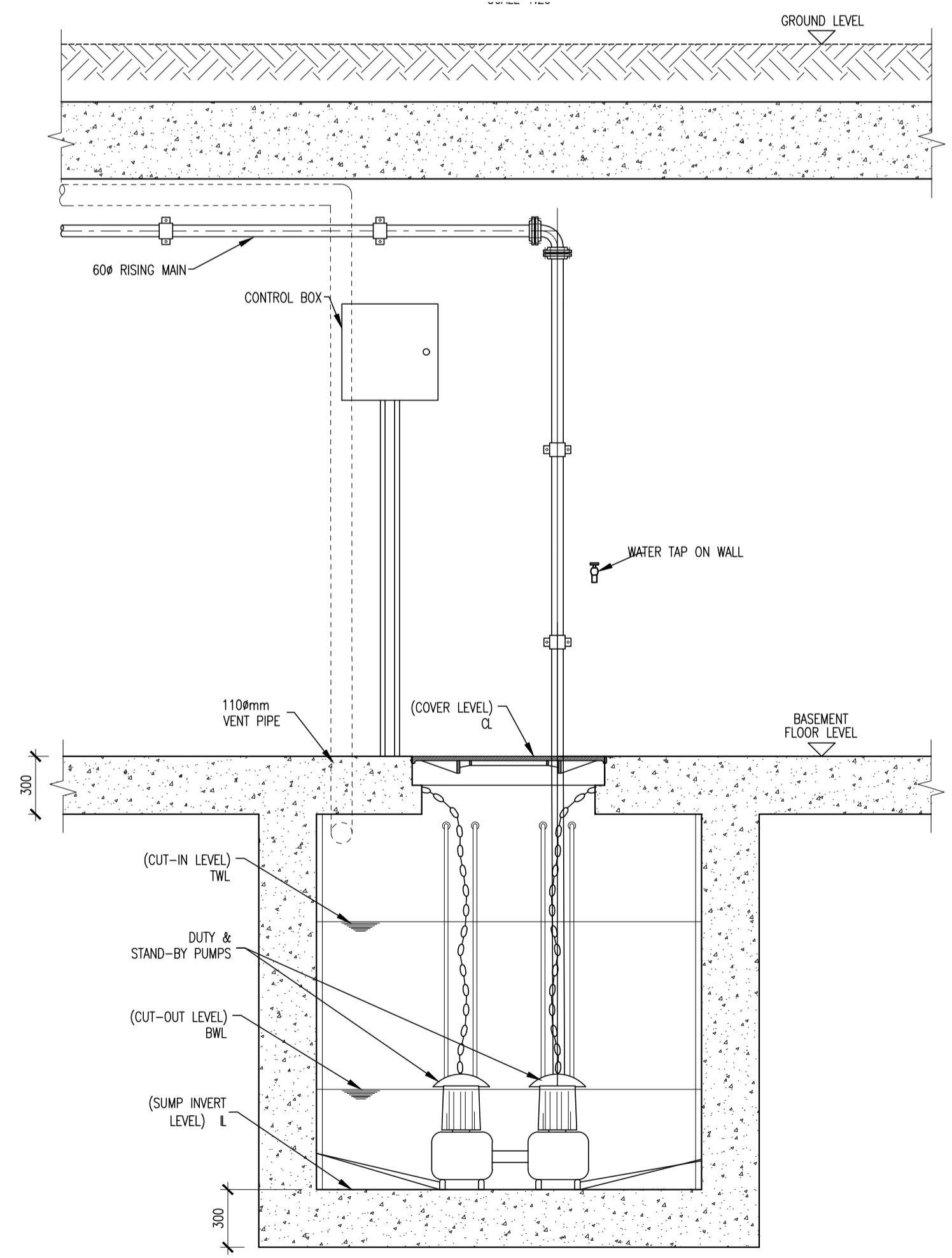
**PETROL INTERCEPTOR & PUMPING STATION LAYOUT PLAN**  
SCALE 1:25



**SECTION B-B**  
SCALE 1:25



**SECTION A-A**  
SCALE 1:25



**SECTION C-C**  
SCALE 1:25

REV.	DATE	DESCRIPTION	BY	CHKD.
<b>PLANNING</b>				
DESIGNED	JBK	PREPARED	APW	
DATE	NOV 2017	CHECKED	JBK	

DUBLIN OFFICE: Ormond House, Upper Ormond Quay, Dublin 7, Ireland. PHONE +353 1 400 4000 FAX +353 1 400 4050

WATERFORD OFFICE: Unit 2, The Chandlery, 1-2 O'Connell Street, Waterford, Ireland. PHONE +353 51 300 500 FAX +353 51 844 913

DBFL Consulting Engineers EMAIL info@dbfl.ie SITE www.dbfl.ie

PROJECT  
**PROPOSED RESIDENTIAL DEVELOPMENT AT GLENCAIRN, MURPHYSTOWN WAY, DUBLIN 18**

DRG. TITLE  
**TYPICAL BASEMENT PUMP DETAILS**

ARCHITECT  
**OMAHONY PIKE ARCHITECTS**

SCALE	AS SHOWN @A1	FILE REF.	170074-3010
DRG. NO.	<b>170074-3019</b>		